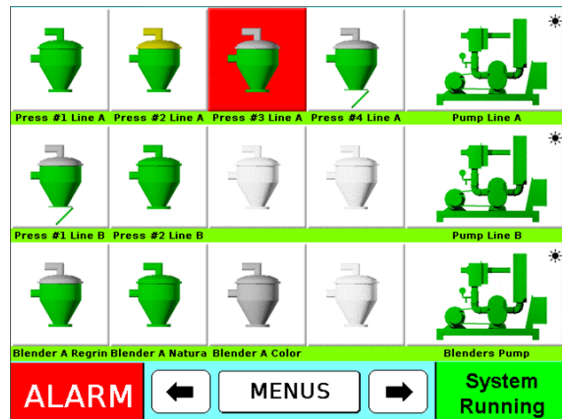


24/7-NOW LOADING CONTROL

For use with the Powermax-PD, Powermax-HP, Maxi-Vac, and R2R Power Packs

The 24/7-NOW Loader is the most advanced, versatile, and user-friendly central loading system available. Easily configured, its full-color, 5.7" LCD touchscreen (with available remote) provides for intuitive operation and maximum information. The flexible 24/7-NOW Loader can be configured to create a combination of operation for as many as 16 stations, 4 pumps (with automatic pump-swapping), 8 global purge valves, or dual-inlet valves, as well as many other available options at the station level.



24/7-NOW Display Interface Home Screen

Standard Specifications & Features

- NEMA rated control panel, 16"x14"x8"
- TFT Color LCD 5.7" VGA touch screen
- Advanced loading control functions
- 120VAC/1/50/60 power and control
- Versatile I/O package
 - Type I: (1) VIOS base board with (3) VIO cards

Controller Application Options:

- 24 VDC Control voltage
- 24 VAC Control voltage

Controller Configuration Options:

- Red Beacon with Base
- Amber Stacked Beacon¹
- Horn Alarm Annunciator¹
- Secondary Remote 5.7" or 10.4" Color LCD Touchscreen Interface (Maximum of 500 feet, and 120v power is required)

Versatile I/O VIOS Structure:

- (3) VIO cards
- All VIO cards identical
- Function of VIO card user-set via selector switch
- Cards functions available:
 - Pumps:
 - Pump card (2 pumps)
 - Stations:
 - 2-Station card – (3) Bonus I/O per station
 - 4-Station card – (1) Bonus I/O per station
 - 8-Station card – Simple station (Sequence Valve and Level Switch)
 - Station accessories:
 - Dual-Inlet card – (8) Dual-Inlet valves
 - Station pulse card – (8) Pulse outputs
 - System accessories:
 - Purge valve card (8 "global" purge valves)²



POWERMAX-PD



POWERMAX-HP



MAXI-VAC



R2R POWER PACK

¹NOTE: Amber Beacon and/or Horn Alarm Annunciator can only be ordered in conjunction with the Red Beacon, and cannot be ordered stand-alone.

²NOTE: Dedicated purge valve control possible for stations with bonus I/O



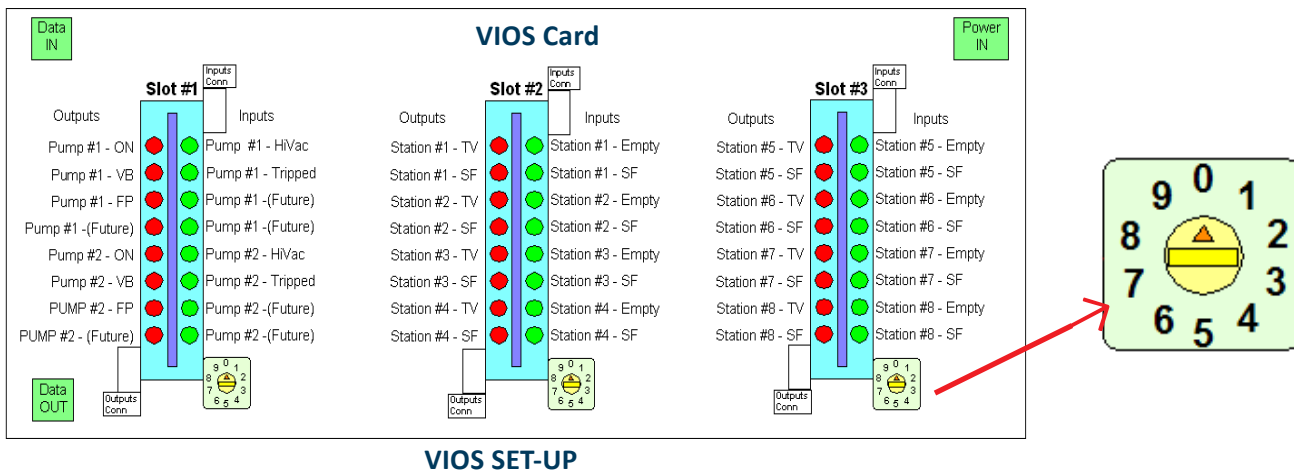
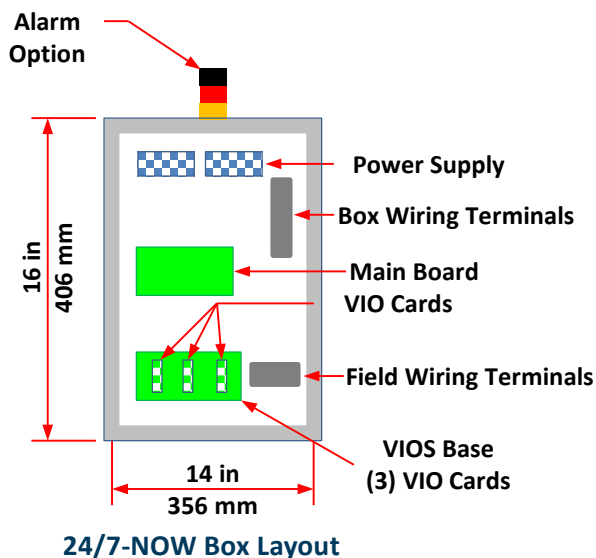
Piovan Group

TB-00060-24-7-NOW

Rev: A-1

Effective Date: 07/20/2015

www.unadyn.com



Ultimate flexibility to configure the 24/7-NOW to suit system requirements. Via VIO Card “Function Select Switch”, the number of vacuum pumps, loading stations and station features can be configured to activate the selected I/O as needed.

Position	VIO Card Function
0	No Card Installed/ Card “Off”
1	Pump card (2 pumps)
2	Pump Swap card (1 pump with 5 valve outputs)
3	2-Station card
4	4-Station card
5	8-Station card
6	Purge Valve card (8 ‘global’ purge valves)
7	Dual Ratio card (8 dual ratio valves)
8	Station Pulse card (8 pulse outputs)
9	Custom

Spare Pump Lines A/B No Alarms

Pump On/Off: **ON**

Active Station: **Press #3 Line A**

Loading: **8**

Status: **Pump Running**

Station Queue

Station	Time In Queue
Press #5 Line A	46
Press #1 Line A	33
Press #3 Line A	14

Buttons: Vacuum Breaker, Filter Pulse, In Coastdown, In Min Off Time, Next Page, Exit

Pump Queue Page

STATISTICS

Pump Utilization: **45.8%**

Time of Last Reset: **Monday, 08:31:27 AM**

Elapsed Time Since Last Reset: **122 hours 10 minutes**

Total Time “In Load” Since Last Reset: **55 hours 57 minutes**

Utilization By Station

Station	%
Press #1 Line A	25
Press #2 Line A	20
Press #3 Line A	21
Press #4 Line A	19
Press #5 Line A	15

Buttons: Reset Statistics, Exit

Pump Statistics Page

Hardware: Vacuum Breaker **Installed**, Filter Pulse **Installed**

Input Sensors Debounce (secs): High Vacuum **6**, Overload Trip **2**

Pump Run Time Tracking: Accumulated Run Time **367 hours 39 minutes**, Run Time to Next Alarm **22 hours 13 minutes**, Alarm Every ? Hours **100**

Buttons: I/O Diagnostics, Statistics, Next Page, Exit

Pump Run Time Monitor and Alarm Page