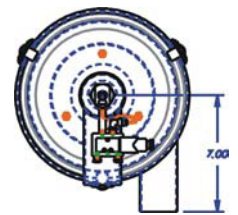
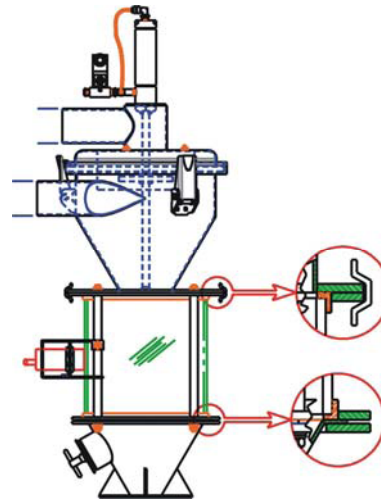


Glass Tube GTC-4 and GTC-8 Tangential Inlet Vacuum Chamber

Model GTC-4

- Single Air Cylinder Controls Chamber Vacuum Sequence and Material Discharge Valve (Patent Pending)
- Positive Conic Dumphroat Seal
- GB Finish, Chamber Seamless Stainless Steel
- Tangential Material Inlet
- Minimal Inventory Glass Tube Chamber
- Adjustable Material Level Sensor
- Available As Single Inlet or with External Dual Ratio Valve
- Quick Disconnect Lid for Easy Access to Chamber Interior
- Modular Quick Clean Design
- Resin Drainout Port

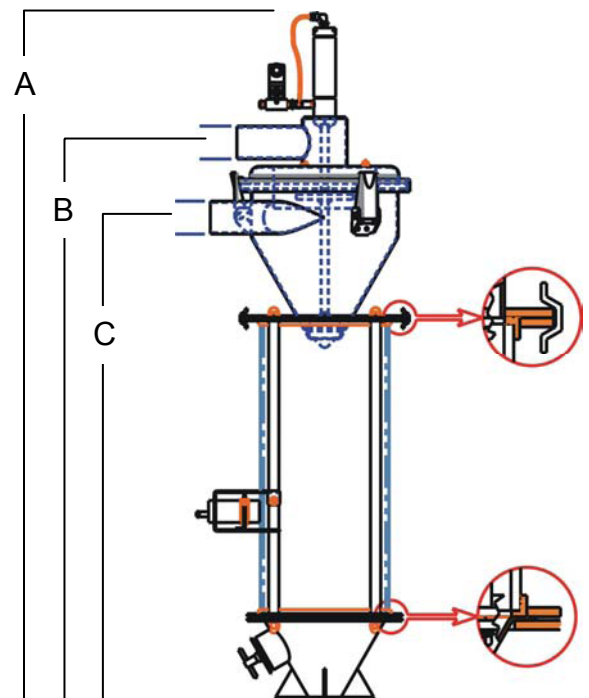
Model GTC-8



This glass tube chamber is designed to provide years of reliable performance. The use of a single air cylinder to control the vacuum as well as positively seal the chamber is unique in the industry. It ensures that material is conveyed to the chamber first time—every time. No air leakage or incomplete material conveying cycles.

Application: Conveying virgin pellets or premixed virgin and regrind material. Glass Tube Chambers are typically sized to maintain five shots or five minutes of material at feed throat.

Model GTC-8 Extended



Models	SPECIFICATIONS		
	GTC-4	GTC-8	Extended GTC-8
	4" Chamber	8" Chamber	8" Chamber
Capacity	.05 FT ³	.27 FT ³	.52 FT ³
CFM	50-110	50-110	50-110
Pellet Screen Filter	3/32" Perf.	3/32" Perf.	3/32" Perf.
Line Sizes Available	1.5", 2" O.D.	1.5", 2" O.D.	1.5", 2" O.D.
Feed Throat	2"	2"	2"
Mounting Plate	6" x 6"	6" x 6"	6" x 6"
Control Voltage	24 or 110 vac	24 or 110 vac	24 or 110 vac
Control Voltage for Echo	24VDC	24VDC	24VDC
Compressed Air for 24 or 110 vac	80-120 psig	80-120 psig	80-120 psig
Compressed Air for 24 VDC for Echo	80-90 psig	80-90 psig	80-90 psig
Dimension A	28.25"	31.8"	42"
Dimension B	20.4	24"	34"
Dimension C	15.9"	19.4"	29.4"

[PRICES AND SPECIFICATIONS MAY CHANGE WITHOUT NOTICE - ALL SALES ARE SUBJECT TO STANDARD CONDITIONS OF SALE]